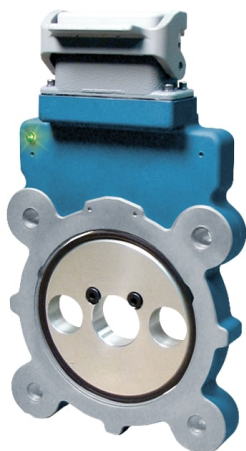


Avtron XR115 SMARTSafe™ Encoders



**Hazardous Duty Magnetic Encoder,
Heavy Duty 115mm Modular**

Magnetic Durability in a Compact Encoder

- Fits IEC 115mm Motor Flanges
- ATEX/IECEx Rated for Zone 1, 2, 21 & 22 Applications
- Ideal for Oil and Gas Drilling
- No Bearings to Wear Out
- Fully Potted Electronics
- Up to 5000 PPR
- Wide Sensor-Rotor Gap: No Shimming or Scraping
- Protected Against Wiring Errors
- Self-Diagnostic LED and Alarm Output
- 3 Year No-Hassle Warranty
- cULus Class I Division 1 Groups A,B,C,D Listed
- cULus Class I Zone 0 Group IIC
- cULus Class I Division 2 Groups A,B,C,D Listed

XR115

XR115 SMARTSafe 115mm modular incremental quadrature rotary encoders are a breakthrough in hazardous duty encoders. They are ATEX and UL approved and offer incredibly reliable no-bearing construction! SMARTSafe encoders can be used in gas and ATEX dust hazardous environments. Also available: hollow shaft models (XR45, XR685), shafted models (XR4F, XR485), and no-bearing modular encoders to fit other flange sizes (XR56A, XR85A, XR125, XR850).

For applications requiring ATEX/IECEx Zone 2 or 22 or UL Class I, Division 2 (Gas) Groups A,B,C,D use the XR115 directly in your application, with no barrier, isolator or cable gland required.

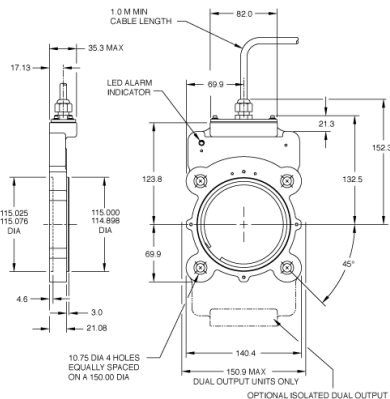
For applications requiring UL Division 1, ATEX/IECEx Zone 1 or 21 protection use the XRB3 isolator in your control cabinet which permits the use of intrinsically safe wiring instead of explosion-proof conduit or glands. The XR115 can also be used in UL Class I Div 1 & Zone 0 applications using the XRB3 Isolator.

Unlike the competition, Avtron SMARTSafe encoder systems are protected against short circuits, power-to-output wiring, and output-to-ground faults.

Instead of relying on a tiny optical encoder with weak bearings, install the most rugged encoders available for your drilling or industrial applications. Vibration, shock, liquids, dust and dirt won't harm SMARTSafe encoders! Paint booths, draw works, coil tubing rigs...XR115 can keep them all working 24/7/365.

Eliminate the biggest cause of Industrial Encoder failures. Eliminate the bearings with XR115 Hazardous Duty Encoders!

OUTLINE DRAWING



MORE XR115 ADVANTAGES

- Replaces Hubner POG and OG and other shafted flange-mount encoders
- Eliminates large & costly flange adapters & flowerpots
- Fits shafts 10 - 85 mm
- Thin profile reduces overall motor depth
- No air gap adjustment required
- Shrugs off dirt, oil, and water contamination
- No glass disks to break or optics to fail
- 4,500,000+ hour MTBF design

MORE XR115 SPECIFICATIONS

Operating Power: (add load and cable drive current as req'd)

Division 1, Zone 1 (XRB3): 12-24VDC In/Out, 150 mA

Division 2, Zone 2: 5-24VDC In/Out, 150mA

Output Format: A Quad B with marker (A,/A, B,/B, Z,/Z)

Frequency Range: 0 to 165 kHz

Maximum Cable Length:

Division 1, Zone 1: Encoder 500' Isolator 1000'

Division 2, Zone 2 (5 to 12 VDC in): 500'

Division 2, Zone 2 (15 to 24 VDC in): 250'

Temperature: -40°C to 80°C (storage -40°C to 100°C)

Environmental: IP54 (see manual for details)

Vibration: 5-2000Hz, 20G, 100G Shock

Weight: 2-3lbs [.9-1.4kg]

Certifications:

ATEX/IECEX Zone 1 & 21 Group IIC

cULus Class I Div 1 and Zone 0 Group A,B,C,D*

ATEX/IECEX Zone 2 & 22 Group IIC

cULus Class I Div. 2 Groups A,B,C,D

*See installation drawings for Warnings and Limitations.

Check out our website for more detailed specifications, drawings, and installation instructions. www.avtronencoders.com



Nidec Industrial Solutions
243 Tuxedo Avenue - Cleveland, Ohio 44131
encoderhelpdesk@nidec-industrial.com
+1 216-642-1230 - www.avtronencoders.com



Features and specifications are subject to change without notice. EU-SMART™, SMARTSafe™, SMARTTach™, THIN-LINE™, WIDE-GAP™, SAFETach™, and BULLSEYE32™ are trademarks of Nidec Industrial Solution. All other trademarks and registered trademarks are the property of their respective owners. Nidec Industrial Solutions' standard warranty applies. All dimensions approximate.

SELECTION GUIDE

MODEL	HOUSING TYPE	ROTOR BORE SIZE	COVER STYLE	LINE DRIVER	LEFT OUTPUT PPR	RIGHT OUTPUT PPR	CONNECTOR OPTIONS	MODIFICATIONS
XR115	1 - Single Output 2 - Dual, Isolated Outputs	D2 - 10mm Thru-Shaft Rotor DA - 11mm Thru-Shaft Rotor D3 - 12mm Thru-Shaft Rotor DB - 14mm Thru-Shaft Rotor DC - 15mm Thru-Shaft Rotor DD - 16mm Thru-Shaft Rotor D4 - 18mm Thru-Shaft Rotor DE - 19mm Thru-Shaft Rotor DF - 24mm Thru-Shaft Rotor D5 - 25mm Thru-Shaft Rotor DG - 28mm Thru-Shaft Rotor DH - 30mm Thru-Shaft Rotor DT - 32mm Thru-Shaft Rotor DJ - 36mm Thru-Shaft Rotor DK - 38mm Thru-Shaft Rotor DL - 42mm Thru-Shaft Rotor DM - 45mm Thru-Shaft Rotor DN - 48mm Thru-Shaft Rotor DP - 52mm Thru-Shaft Rotor DR - 55mm Thru-Shaft Rotor DS - 60mm Thru-Shaft Rotor MS - Obsolete, use DS for 60 mm Thru-Shaft Rotor, Cam Screw Mount MU - 65mm Thru-Shaft Rotor MV - 70mm Thru-Shaft Rotor MW - 75mm Thru-Shaft Rotor MY - 80mm Thru-Shaft Rotor MZ - 85mm Thru-Shaft Rotor	E - Extended (Pie-Pan Style) Cover F - Flat Outboard Cover, Low-Profile T - Outboard Seal Plate for Thru-Shaft X - No Cover Plate	F - Level 1 Protection, (UL Class I, Div 1, UL/cUL Class I, Zone 0 Listed) 5-7v, 5V out (NOTE Requires XRB3 Isolator) G - Level 2 Protection, (UL Class I, Div 2 Listed) 5-24v, 5-24V out 7 - Level 2 Protection, (ATEX/IECEX Zone 2 & 22) 5-24v, 5-24V out H - Level 1 Protection (ATEX/IECEX Zone 1 & 21), 5-7v in, 5v out (NOTE Requires XRB3 Isolator) R - US CLASS I, DIV 2, ZONE 2, RECOGNIZED, 5-24v in, 5-24v out	F - 60 PPR G - 100 PPR H - 120 PPR A - 128 PPR L - 240 PPR N - 256 PPR P - 300 PPR E - 360 PPR B - 480 PPR Q - 500 PPR R - 512 PPR S - 600 PPR V - 900 PPR J - 960 PPR Y - 1024 PPR Z - 1200 PPR 4 - 2048 PPR 5 - 2500 PPR D - 4096 PPR 8 - 4800 PPR 9 - 5000 PPR 0 - Special PPR	X - No Right Output, Single Output Only F - 60 PPR G - 100 PPR H - 120 PPR A - 128 PPR L - 240 PPR N - 256 PPR P - 300 PPR E - 360 PPR B - 480 PPR Q - 500 PPR R - 512 PPR S - 600 PPR V - 900 PPR J - 960 PPR Y - 1024 PPR Z - 1200 PPR 4 - 2048 PPR 5 - 2500 PPR D - 4096 PPR 8 - 4800 PPR 9 - 5000 PPR 0 - Special PPR	A - 10 pin MS style w/o Plug, Avtron/BEI HS35 Pinout B - 10 pin MS style w/o Plug, Dynapar HS35 Pinout C - 10 pin MS style w/ Plug, Avtron/BEI HS35 Pinout D - 10 pin MS style w/ Plug, Danaher HS35 Pinout P - Industrial (EPIC Style) w/mating plug & remote alarm contact G - Ind1 w/Northstar Pinout (EPIC Style connector), w/mating plug, LED diagnostics W - 36 inch Cable w/LED diagnostics + alarm output contact J - 7 pin MS style w/o Plug, Avtron/BEI HS35 Pinout, A,B,Z channels, LED Diagnostics K - 7 pin MS style w/o Plug, Avtron/BEI HS35 Pinout, A,A',B, B/ channels, LED Diagnostics U - 7 pin MS style w/o Plug, (reverse phasing Dynapar Pinout), A,B,Z channels, LED Diagnostics V - 7 pin MS style w/o Plug, (reverse phasing Dynapar Pinout), A,A',B, B/ channels, LED Diagnostics R - 10 pin Mini-MS style (Bayonet) w/LED diagnostics H - Terminal box w/ USA 1/2" conduit entry (UL/ATEX/IECEX) M - Terminal box w/ USA 3/4" conduit entry (cUL/UL/ATEX/IECEX) N - Terminal box w/ USA 1" conduit entry (cUL/UL/ATEX/IECEX) 8 - Terminal box w/ 25mm conduit entry (cUL/UL/ATEX/IECEX)	000 - None 005 - Super Magnetic Shielding Added 017 - Add counterbores to mounting holes for thinnest profile 018 - Include XRB3 Remote Level 1 Isolator for Remote Cabinet Mount 401 - 1270 (Special) Left Output PPR, No Right Output (Set PPR Codes = 0) 402 - 150 (Special) Left Output PPR, No Right Output (Set PPR Codes = 0) 403 - 50 (Special) Left Output PPR, No Right Output (Set PPR Codes = 0) 404 - 100 (Special) Left Output PPR, No Right Output (Set PPR Codes = 0) 405 - 16 (Special) Left PPR, No Right Output (Set PPR Codes = 0) 406 - 6000 (Special) Left PPR, No Right Output (Set PPR Codes = 0) 407 - 2800 (Special) Left PPR, No Right Output (Set PPR Codes = 0) 408 - 1400 (Special) Left PPR, No Right Output (Set PPR Codes = 0) 409 - 30 (Special) Left PPR, No Right Output (Set PPR Codes = 0) 415 - 3000 (Special) Left PPR, No Right Output (Set PPR Codes = 0) 901 - 0.3m/1' Special Cable Length 902 - 0.6m/2' Special Cable Length 903 - 0.9m/3' Special Cable Length 905 - 1.5m/5' Special Cable Length 910 - 3m/10' Special Cable Length 915 - 4.5m/15' Special Cable Length 920 - 6m/20' Special Cable Length 930 - 9m/30' Special Cable Length 933 - 10m/33' Special Cable Length



Nidec Industrial Solutions
243 Tuxedo Avenue - Cleveland, Ohio 44131
encoderhelpdesk@nidec-industrial.com
+1 216-642-1230 - www.avtronencoders.com



Features and specifications are subject to change without notice. EU-SMART™, SMARTSafe™, SMARTTach™, THIN-LINE™, WIDE-GAP™, SAFETach™, and BULLSEYE32™ are trademarks of Nidec Industrial Solution. All other trademarks and registered trademarks are the property of their respective owners. Nidec Industrial Solutions' standard warranty applies. All dimensions approximate.