

Control Console C1



We designed the Control Console C1 to give our customers the maximum freedom of design and configuration options. The design has paid attention to a compact format, which can be extended with additional modules. The modular design allows individual assembly with joysticks, displays and command devices. The Control Console C1 is thus able to adapt perfectly to your product and your branding.



reddot winner 2020
industrial design



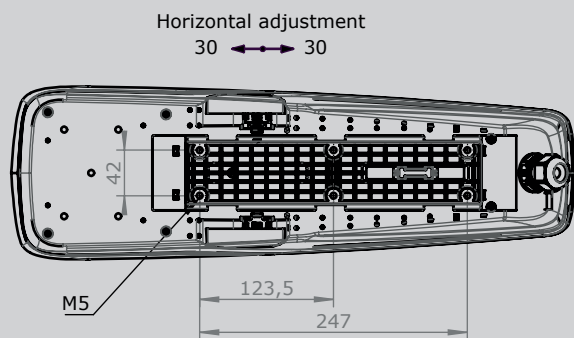
Standard colour:
Housing bottom part: anthracite RAL 7016
Housing upper part: light grey RAL 7035
Insert plate: anthracite RAL 7016

Technical data:

Operation temperature -40°C to +85°C
Horizontal adjustment +/- 30 mm

	C1	-1	-1	-1	-0	Example USB	-L1	/	V27	/	KLS	/	X
Control Console													
C1	160 x 520 mm												
Insert plate													
1	Insert plate (flat) variant 1												
2	Insert plate (with recess) variant 2												
Colour housing upper part													
1	Light grey RAL 7035												
X	Desired colour (on request!)												
Colour decor stripes													
1	Red												
X	Desired colour (on request!)												
Illumination decor stripes													
0	No illumination												
1	RGB-illumination left												
2	RGB-illumination right												
3	RGB-illumination left + right												
Attachments													
USB	USB-plugin socket 2-fold, 2 x 2,5 A												
L1	Logo left												
L2	Logo right												
L3	Logo left incl. lighting												
L4	Logo right incl. lighting												
E1	Extension housing right												
D1	Display holder (Display on request)												
Mounting for equipment boxes													
V	Multi-Axis Controller (see page 1)												
N	Control-Switch (see page 113)												
More Control Elements (see page 137 and 243)													
Wiring													
KLS	On connector or joystick per core												
KLK	One side on cable per core												
Special model													
X	Special / customer specified												

Technical details may vary based on configuration or application! Technical data subject to change without notice!



Thickness of mounting plate, provided by customer (mm)	screw for mounting plate
1	M5x10
1,5	M5x12
2	M5x12
2,5	M5x12
3	M5x12
4	M5x14
5	M5x16
6	M5x16
8	M5x18
10	M5x20

